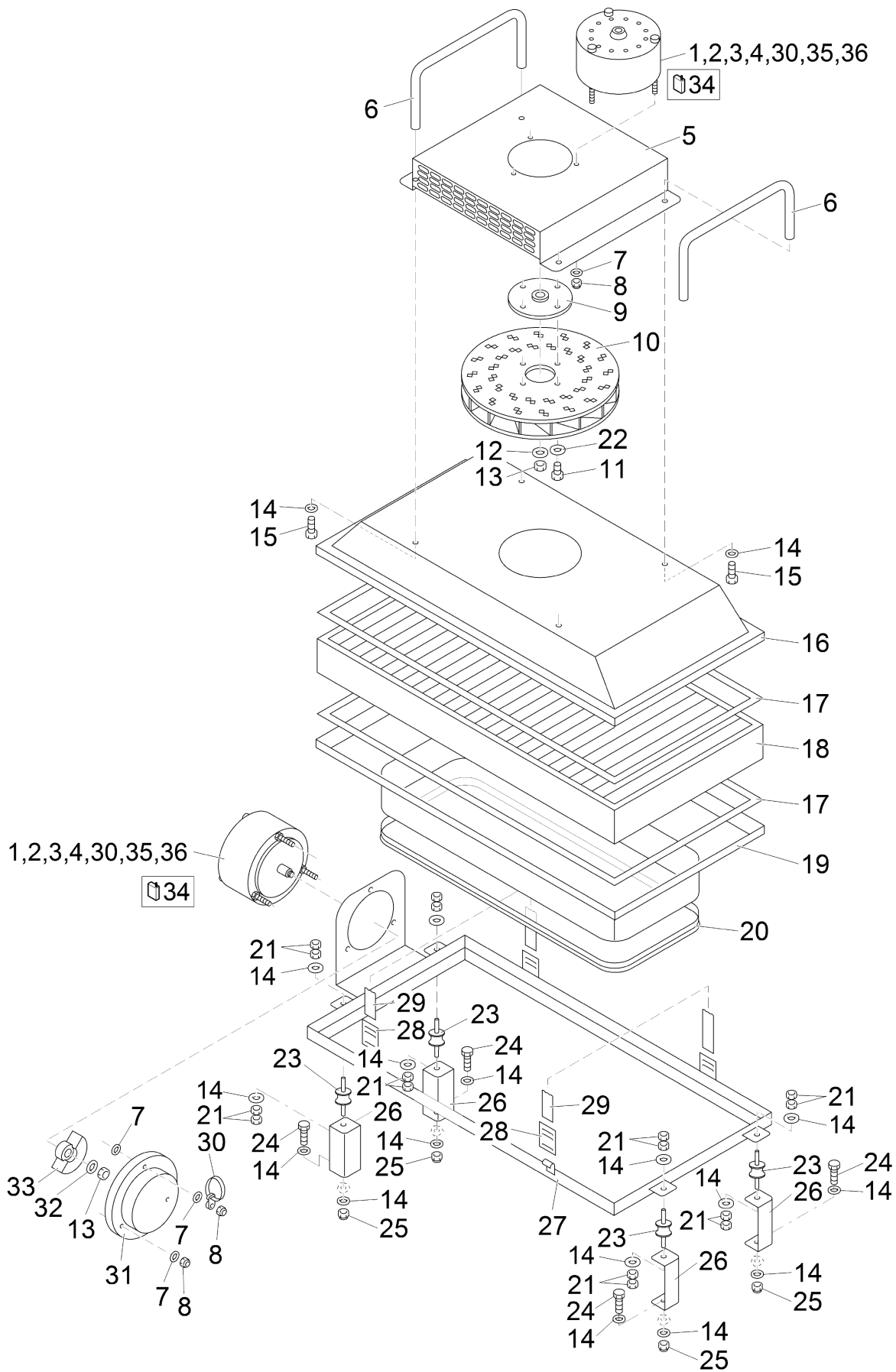


Filter installation - Vibrator system (97125686)



Pos.	Part No.	Material number	Description	Qty.	Unit	Remarks
1	00512370	90279019	E-motor	2	PC	
2	00746530	90122193	Ring	2	PC	
3	00903190	19724020	Tab	4	PC	
4	00083650	19791037	Male-housing 1-pole FASTIN-ON 6,3	4	PC	
5	00981080	90313081	Hood	1	PC	
6	00102700	90313438	Grasp handle	2	PC	
7	00053720	12310025	Washer	9	PC	
8	00051340	12040036	Hex. Nut	6	PC	
9	00927460	90208356	Flange	1	PC	
10	00661680	90332966	Fan wheel	1	PC	
11	00025260	11038056	Hexagon screw	4	PC	
12	00042900	12332029	Washer	1	PC	
13	00747350	12015111	Hex. Nut	2	PC	
14	00053730	12310033	Washer	20	PC	
15	00053010	11038072	Hex.bolt	4	PC	
16	00980980	90313065	Filter hood	1	PC	
17	00748620	25740085	Gasket Tesamoll	3,400	M	
18	00251060	90282211	Plate filter	1	PC	
19	00981000	90313073	Filter box	1	PC	
20	01052820	25583121	Edge protection	1,360	M	
21	00053330	12022042	Hex. Nut	16	PC	
22	00135120	12332011	Washer	4	PC	
23	00874470	90144791	Buffer	4	PC	
24	00053020	11038098	Hexagon screw	4	PC	
25	00051520	12040044	Hex. Nut	4	PC	
26	---		Spare part on request	4		90634940 Angle
27	00980960	96069232	Support	1	PC	
28	00109580	90246653	Bracket	2	PC	
29	00059890	90277856	Tightening strap	2	PC	
30	00903180	19791128	Male-housing	2	PC	
31	00704290	90208265	Cover	1	PC	
32	00053750	12310041	Washer	1	PC	
33	00704270	90122904	Vibration trade	1	PC	
34	00928630	00928630	Carbon brush	2	PC	
35	01074880	90164062	Cable tie	2	PC	
36	00903500	90304585	High load wirewound resistor	1	PC	